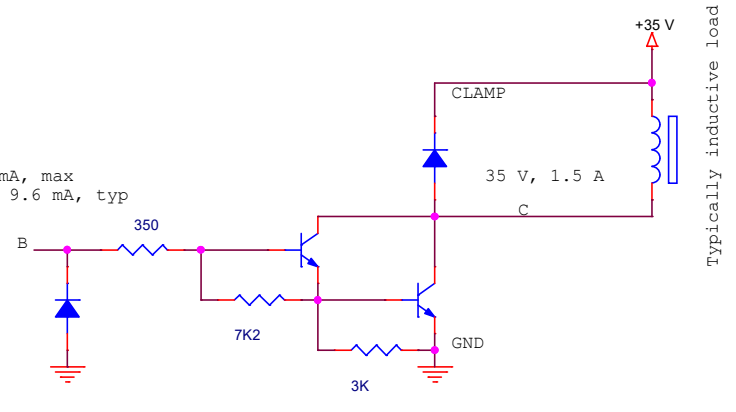


15 V, 25 mA, max  
3.75 V at 9.6 mA, typ



Bipolar stepper motor driver, motor, relay or solenoid driver.

Title		
ULN2064B, G26042 Quad Darlington drivers		
Size	Document Number	Rev
A	Design 1961	1
Date:	Wednesday, September 08, 2021	Sheet 1 of 1